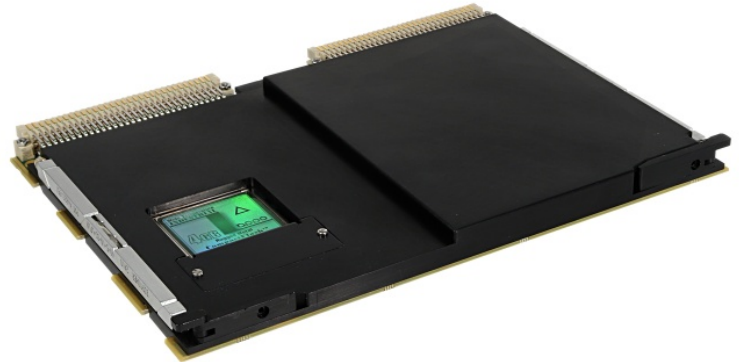


Multi-drive Mass Storage Module Rugged Conduction-Cooled

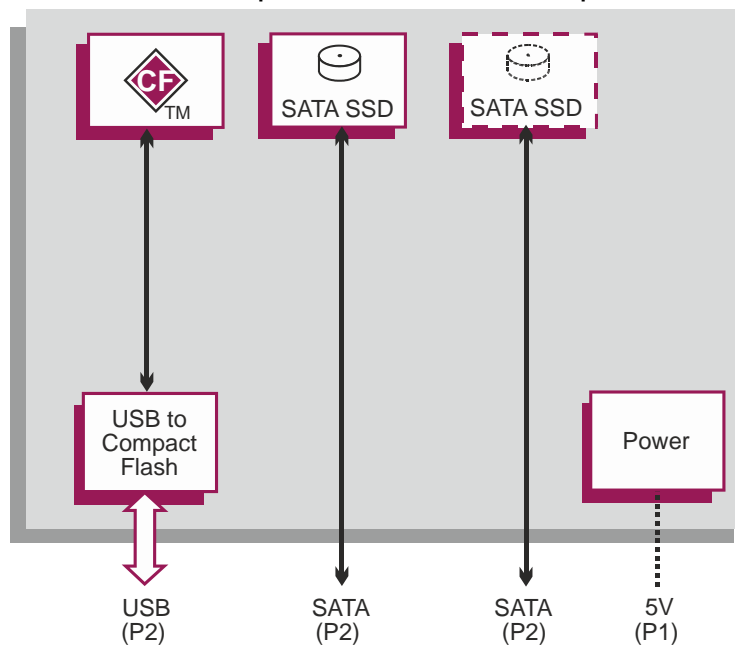
Key Features

DS MS1/034-RC is a rugged conduction-cooled mass storage module that is designed to work with one or more of Concurrent Technologies VME processor boards.

- Supports up to two 2.5-inch SATA Solid State Drives and a CompactFlash® (Type-I) card
- Connects by rear SATA and USB ports
- Air-cooled variants also available



DS MS1/034-zzRC up to 2 x SATA drives and a CompactFlash site



Rugged Mass Storage Module

- conduction-cooled to IEEE 1101.2
- -40°C to +85°C operating temperature
- conformally coated
- supports up to two 2.5 inch SATA300 Solid State Flash drives and a CompactFlash® site (Type-I)
- operates with one or more Concurrent Technologies VME or VXS conduction-cooled host boards simultaneously
- interfaces to the host boards' SATA and USB ports-
 - SATA150 or SATA300 supported
 - USB 1.1 and USB 2.0 supported

Compatible VME/VXS Host Boards

- contact your local sales office for the latest range of host boards supported

SATA and USB Interfaces

- one or more SATA/USB connections can be made from the host boards to the DS MS1/034-RC Mass Storage Module-
 - up to 2 x host board SATA drive interfaces connect to up to two onboard SATA Solid State Flash drives
 - 1 x host board USB port connects to the CompactFlash® site via a USB to EIDE convertor
- accessible via P2 connector

Software Support

- supported operating systems depend on the VME or VXS host board used

Safety

- PCB (PWB) manufactured with flammability rating of UL 94V-0

Environmental Specification

- in conduction-cooled environments specialized Solid State Flash drives are required
- operating temperature:
 - VITA 47 Class CC4, -40°C to +85°C
- storage temperature:
 - VITA 47 Class C4, -55°C to +105°C
- operating and storage altitude:
 - 1,000 to 50,000 feet (-305 to 15,240 meters)
- 5% to 85% Relative Humidity, non condensing
- commercial air-cooled versions:
 - rear plug compatible
 - commercial: DS MS1/0xx

Electrical Specification

- requires 5V supply, typical current 0.2A plus-
 - maximum 0.3A per Flash drive @5V
- 3.3V, +12V and -12V supplies are not required

Mechanical Specification

- 6U form-factor
- single slot, front panel width 0.8 inch (20.3mm)
- utilizes 160-way connectors for P1 and P2-
 - P0 not utilized
- operating mechanical-
 - shock - VITA 47 Class OS2, 40g
 - random vibration - VITA 47 Class V3, 0.1g²/Hz



Parhelia B.V.
www.parheliabv.com
☎ +31(0)10 741 00 28