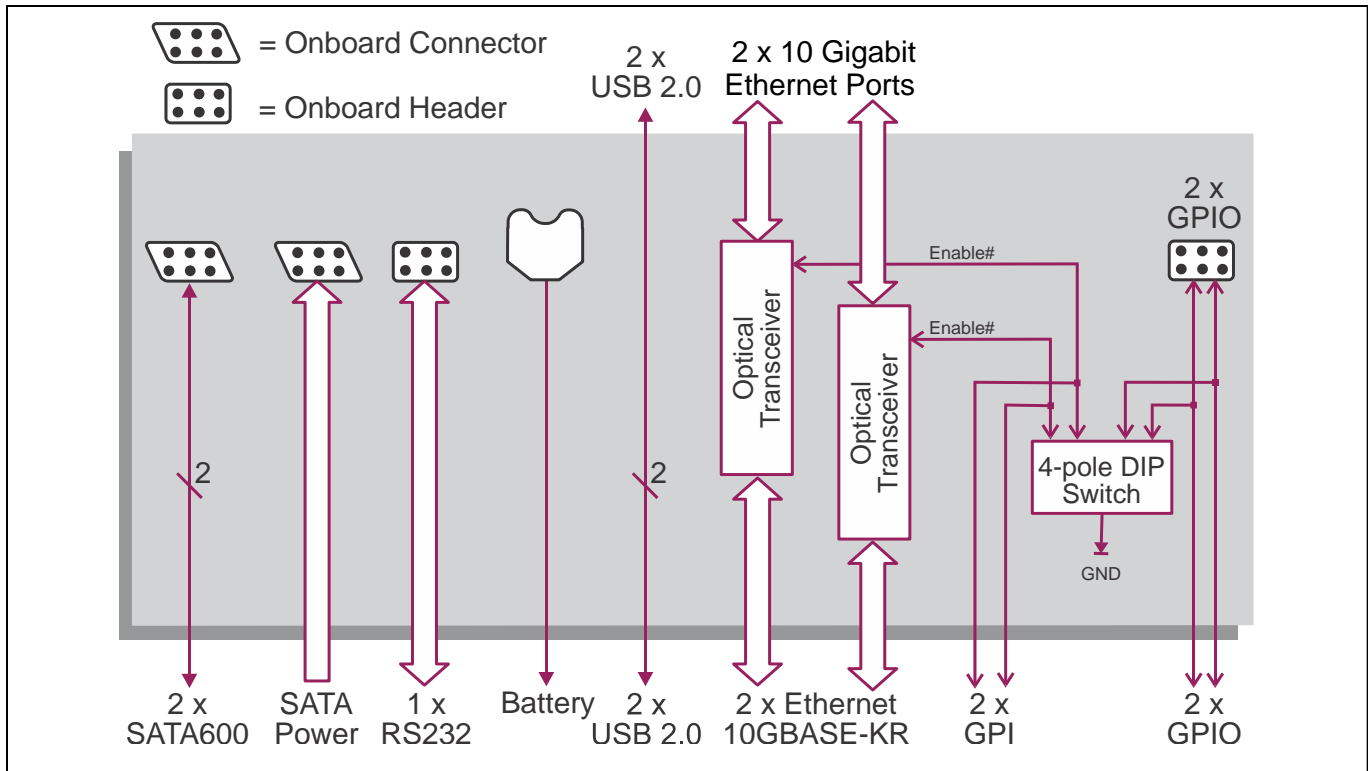


Rear Transition Module

Key Features

AD TR1/x11 is a Rear Transition Module (RTM) to complement TR C4x/msd and TR G4x/msd. These high core-count boards from Concurrent Technologies are designed to be used as the basis of server grade 3U VPX™ systems.

- Provides 10 Gigabit Ethernet ports for connection to adjacent and remote systems
- Provides access to a mix of USB, Serial and SATA ports to speed development



Dual 10 Gigabit Ethernet Interfaces

- 2 x front panel 10 Gigabit Ethernet interfaces via optical transceiver interfaces:
 - 10Gbps 850nm Multimode Embedded Data Link
 - duplex data links up to 400 meters
 - duplex LC optical connection
 - implemented by Finisar® Endurance™ Transceiver modules
- each interface can be enabled or disabled via an on-board DIP switch

Electrical Specification

- all voltages to be within +5%
- maximum currents are:
 - +5.0V @ 0.05 A
 - +3.3V @ 0.20 A

Environmental Specification

- operating temperatures:
 - 0°C to +55°C (N-Series)
 - -25°C to +70°C (E-Series)
- -40°C to +85°C (non-operating)
- 5% to 95% Relative Humidity, non-condensing

Mechanical Specification

- 3U VPX form-factor (VITA 46.0)
- 3.9 inches x 6.3 inches (100mm x 160mm)
- slot width 1.0 inch air-cooled:
 - (IEEE 1101.10 as per VITA 46.0)
- connectors to VITA 46.0 for P0, P1 and P2
- operating mechanical:
 - shock - VITA 47 Class OS1, 20g
 - random vibration - 0.002g²/Hz

Further Information

- For further information on other board I/O and specifications refer to the board's Technical Reference Manual



Parhelia B.V.
www.parheliabv.com
☎ +31(0)10 741 00 28