

DPC-7170



17", Resistive / Capacitive Full Plane Touch Screen, Intel® Whiskey Lake Core i3/i5/i7 Processor.



Features

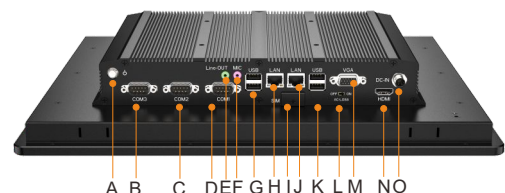
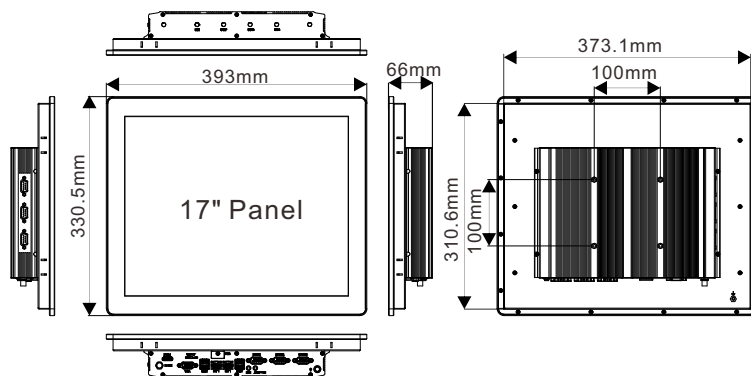
- 17" LED backlight LCD, capacitive touch screen, resistive touch screen
- Fanless design, integral aluminum alloy profile heat dissipation.
- Intel® Whiskey Lake Core I3/I5/I7 processor
- 3 COM, 4 USB, 2 GbE, HD Audio, VGA, HDMI
- Support WiFi 6 4G 5G communication
- Panel and VESA mounting



Specifications

System		Expansion	
CPU	Intel® Whiskey Lake-U I3-8145U (2.3GHz) Dual core four thread processor/ I5-8265U (1.6GHz)/ I7-8565U (1.8GHz) quad core eight thread processor	Mini-PCIe M.2	1 x Full-size Mini-PCIe for WIFI M.2 3042 for 4G ; M.2 3052 for 5G
Memory	2 * SO-DIMM DDR4-2400 (UP to 32GB)	Audio	1 x Line-out 1 x Line-in
Storage	1 x 2.5" Driver Bay for SATA HDD/SSD 1 x Full-size Mini-PCIe for mSATA SSD	Speaker	2Ω5W speaker(Optional)
Operating System	Windows 8.1/10	Power Specification	
Display		Power Input	9~36V
Size	17-inch	Power Adapter	AC-DC, 12V@7A, 84W
Resolution	1280 × 1024	Power Consumption	25W(Typ.)
Viewing Angle	85/85/80/80	Environment	
Brightness	250 cd/m ²	Operating Temperature	-10~50
Backlight	LED	Storage Temperature	-20~60
LED Lifetime	30000 hrs	Relative Humidity	10%-90%, @ 40°C (non-condensing)
VGA	Up to 1920 × 1200@60Hz	Vibration	5~500Hz, 0.026 G ² /Hz, 2.16 Grms, X, Y, Z, 1 hour per axis
HDMI	Up to 4096 × 2304@24Hz	Certifications	CE, FCC
Multi-Display	Dual display (LVDS + VGA/HDMI)	Physical Characteristics	
Touch Screen		Housing	Aluminum alloy panel, all-metal structure
Type	5-Wire Analog Resistive Touch Projected Capacitive Touch	Mounting Mode	Panel-mount, VESA-mount
Transmittance	80%/87%	Dimension (W x L x H)	393X330.5X66 mm
Control Interface	USB	Weight	5.6Kg
Surface Hardness	≥3H/≥6H	Packing List	
I/O Connectors		Serial Port	3 x RS-232 (COM2/3 support RS-232/422/485)
USB Port	2 x USB3.0 2 x USB2.0	USB Port	2 x USB3.0 2 x USB2.0
Ethernet	2 x GbE LAN	Ethernet	2 x GbE LAN
Display Interface	1 x HDMI, 1 x VGA	Display Interface	1 x HDMI, 1 x VGA
Others	1 x DC-IN (3-Pin M8)/1 x Remote Switch Connector 1 x ATX Power Switch/1 x AC LOSS 1 x SIM slot (4G 5G)	Others	1 x DC-IN (3-Pin M8)/1 x Remote Switch Connector 1 x ATX Power Switch/1 x AC LOSS 1 x SIM slot (4G 5G)

Dimension



- | | |
|--------------|-------------|
| A: Remote SW | I: SIM |
| B: COM3 | J: LAN |
| C: COM2 | K: USB |
| D: COM1 | L: AC-Loss |
| E: Line-out | M: VGA |
| F: MIC | N: HDMI |
| G: USB | O: DC-Input |
| H: LAN | |