

# DPM-1120G



12.1", capacitive touch screen Industrial touch display



## Features

- 12.1" LCD, capacitive touch
- Compact structure, front panel IP65 dustproof and waterproof
- All-metal structure design, solid and durable
- Support panel and VESA installation
- 1000 lumen display,
- Touch screen surface AG AF treatment



## Specifications

### Display

Size	12.1-inch
Resolution	1024 x 768
Viewing Angle	80/80/80/80
Color Support	16.7M
Brightness	1000 cd/m <sup>2</sup>
Contrast Ratio	700:1
Response Time	3/5 (Typ.)(Tr/Td) ms
Backlight	LED
Backlight Life	50000h

### Touch Screen

Type	Projection multi touch capacitive touch screen
Control interface	USB
Surface hardness	≥7H
Glass cover	AG AF
Transmittance	80%

### I/O Connectors

USB	1 x USB2.0
Display	1 x VGA 1 x DVI 1 x HDMI/DP
Others	1 x DC-IN (2-Pin Phoenix)

### Power Specification

Power Input	DC 12~24V
Power Adapter	AC-DC, 12V@5A, 60W
Power Consumption	12W(Typ.)

### Environmental

Operating Temperature	-10~50°C
Storage Temperature	-20~60°C
Relative Humidity	10%-90%,@ 40°C (non-condensing)
Vibration	5~500Hz, 0.026 G <sup>2</sup> /Hz, 2.16 Grms, X, Y, Z, 1 hour per axis
Certifications	CE, FCC

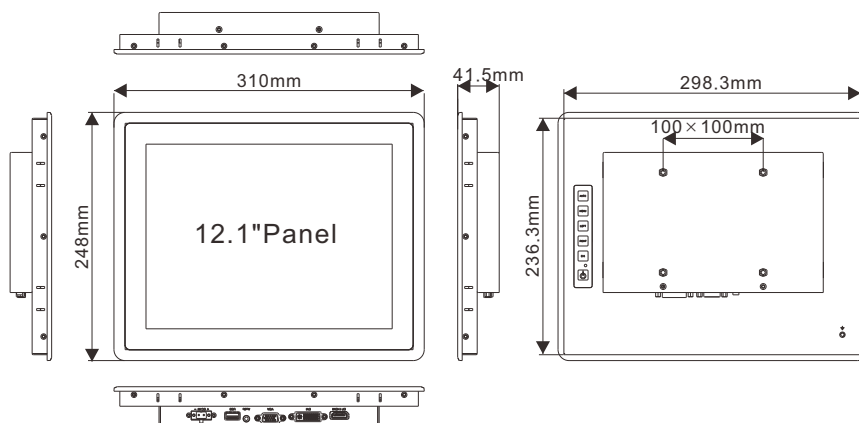
### Mechanical

Housing	Aluminum alloy panel, all-metal structure
Mounting Method	Panel-mount, VESA-mount
Dimension (W x L x H)	310 x 248 x 41.5 mm
Weight	2.4Kg

### Packing List

- 1 x DPM-1120G
- 1 x AC-DC power adapter
- 1 x USB control cable
- 1 x VGA data cable
- 1 x fixed cable buckle
- 1 x Certificate
- 1 x Warranty Card
- 8 x Panel Mounting Buckles

## Dimensions



- A: DP/HDMI  
B: DVI  
C: VGA  
D: Audio  
E: USB  
F: DC-IN