

17", Capacitive / Resistive Touch Screen, Industrial Touch Display



## Features

- 17" LCD Capacitive / Resistive Touch
- Compact Structure, Front Panel IP65
- All Metal Structure Design, Durable
- Support Panel and VESA Installation



## Specifications

Display	
Size	17-inch
Resolution	1280 x 1024
Viewing Angle	85/85/80/80
Color Support	16.7M
Brightness	250 cd/m <sup>2</sup>
Contrast Ratio	1000:1
Response Time	3.8/1.2 (Typ.)(Tr/Td) ms
Backlight	LED
Backlight Life	30000h
Touch Screen	
Type	Projection Multi Touch Capacitive Touch Screen 5-wire Resistive Touch Screen
Control Interface	USB
Surface Hardness	≥6H & 3H
Transmittance	85% & 78%
I/O Connectors	
USB	1 x USB2.0
Display	1 x VGA 1 x DVI
Others	1 x DC-IN (2-Pin Phoenix)

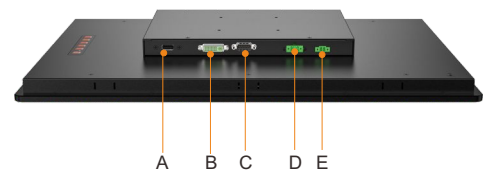
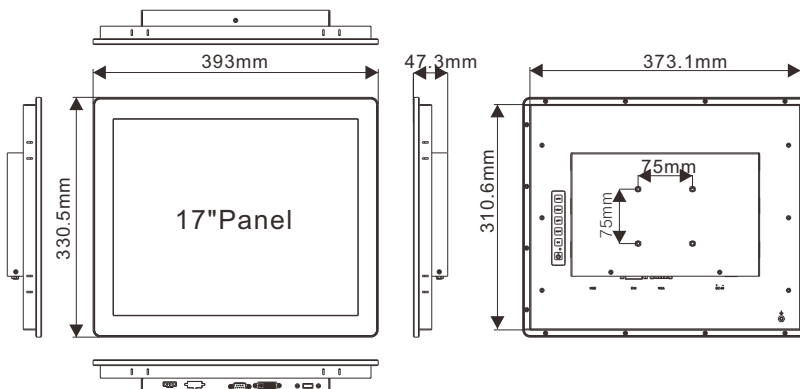
Power Specification	
Power Input	DC 12V (9~36V Optional)
Power Adapter	AC-DC, 12V@5A, 60W
Power Consumption	17W(Typ.)

Environmental	
Operating Temperature	-10~50°C
Storage Temperature	-20~60°C
Relative Humidity	10%-90%, @ 40°C (non-condensing)
Vibration	5~500Hz, 0.026 G <sup>2</sup> /Hz, 2.16 Grms, X, Y, Z, 1 hour per axis
Certifications	CE, FCC

Mechanical	
Housing	Aluminum alloy panel, all-metal structure
Mounting Method	Panel-mount, VESA-mount
Dimension (W x L x H)	393x 330.5 x 47.3 mm
Weight	4.2Kg

Packing List	
	1 x DPM-1170
	1 x AC-DC Power Adapter
	1 x USB Control Cable
	1 x VGA Data Cable
	1 x DVI to VGA Converter
	1 x Cable Buckle
	1 X Certificate
	1 X Warranty Card
	8 X Panel Mounting Buckles

## Dimensions



- A: USB
- B: DVI
- C: VGA
- D: 12V DC-INPUT
- E: 9~36V DC-INPUT