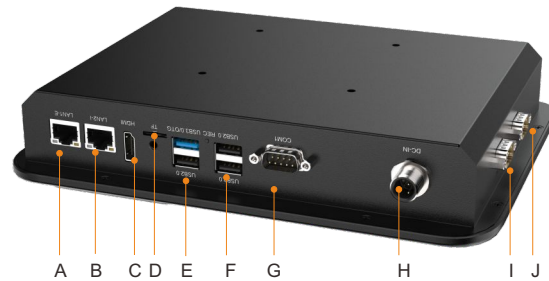


# FMT-615A



8", Capacitive Touch, RK3568, Android 11, WiFi(2.4G/5G) / Bluetooth / 4G / GPS / CAN  
Fleet Management Data Terminal



- |            |           |
|------------|-----------|
| A: LAN1    | F: USB    |
| B: LAN2    | G: COM1   |
| C: HDMI    | H: DC-IN  |
| D: TF      | I: COM2   |
| E: USB/OTG | J: CAN1/2 |



## Introduction

Darveen's FMT-615A is an industrial-grade vehicle terminal designed for fleet management, equipped with an 8-inch capacitive touch screen, based on the Rockchip RK3568 high-performance 4-core processor and Android 11 operating system. It can be equipped with Wi-Fi(2.4G), 4G, GPS, Bluetooth, and other wireless communication modules to achieve real-time scheduling, all-around monitoring, and management of vehicles.

## Features

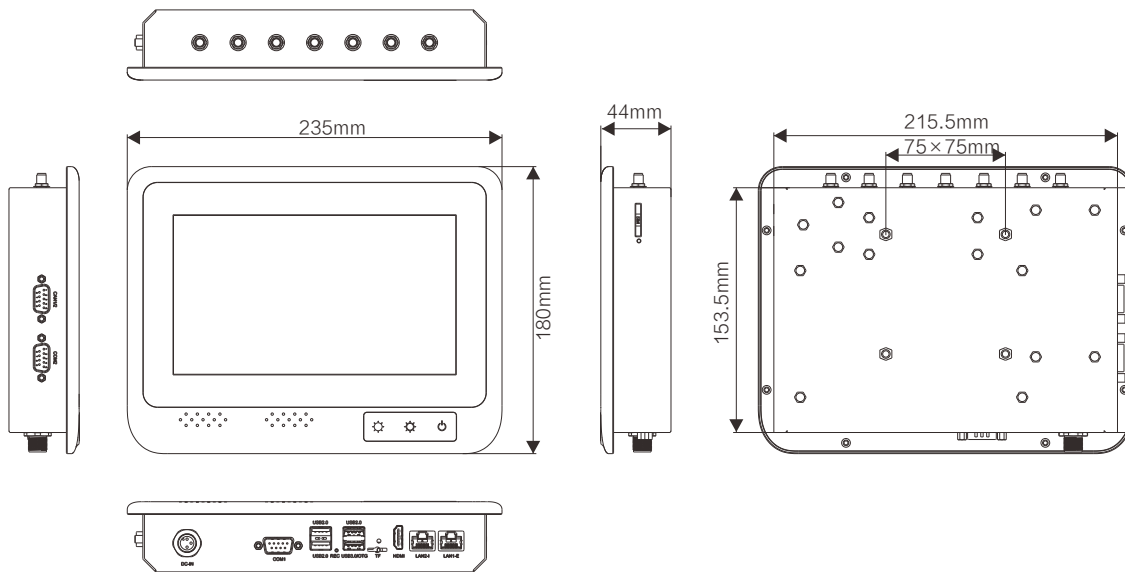
- 8-inch(1280x720) LCD with capacitive touchscreen
- Rockchip RK3568 4-core processor, up to 2.0GHz
- Rugged metal enclosure and fanless design
- Wide range 8-36V DC power input
- Optional build-in WiFi(2.4G/5G), Bluetooth, LTE, GPS, CAN

## Applications

- Manufacturing Logistics
- Warehouse Management
- Vehicle management of driving school



## Dimensions



## Specifications

System		I/O Connectors	
CPU	Rockchip RK3568, 4-core Cortex-A55, up to 2.0GHz	COM	2 x RS-232 (COM1/2) 1 x RS-485 (COM2, Optional)
System Memory	4GB LPDDR4	USB	3 x USB2.0 1 x USB3.0 / OTG
Storage	32GB EMMC	Ethernet	2 x LAN (1000M)
Expansion Slot	1 x TF Card, up to 128GB	HDMI	1 x HDMI
Operating System	Android 11	SIM	1 x SIM (Pull-Push)
Display		Audio	
Size	8-inch	Earphone	1 x Line-out
Resolution(H x V)	1280 x 720	Speaker	1 x 8Ω/2W
Brightness	600 cd/m <sup>2</sup>		
Touchscreen	Capacitive	Power Management	
Keypad & Keyboard		Power Input	8~36V DC
Keypad & Keyboard	Power on/off Brightness +/-	Power Consumption	12W typ.
RF Communication		Environmental	
WLAN	802.11 a/b/g/n/ac (2.4G/5G)	Operating Temperature	-20~60°C
WWAN	4G LTE FDD/TDD, TD-SCDMA/WCDMA, CDMA/GSM	IP Protection Level	IP64
	5G NR/NSA/SA, LTE FDD/TDD, WCDMA (Optional)"	Standard Mounting	VESA 75
GPS	GPS/GLONASS/BeiDou	Certifications	CE FCC
Bluetooth	Bluetooth V4.2	Mechanical	
Expansion Function		Housing	Aluminum+SGCC
CAN/OBD-II	2 x CAN	Dimension	235 × 180 × 44mm
		Weight	1.5Kg