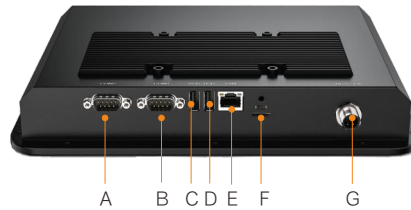


FMT-718



Parhelia B.V.
www.parheliabv.com
+31(0)10 741 00 28

10.1", Capacitive Touch, J1900, Windows 7/10, WiFi / Bluetooth / 4G / GPS,
Fleet Management Data Terminal



A: COM2
B: COM1
C: USB
D: USB
E: LAN
F: SIM
G: DC 8-36V



Introduction

Darveen's FMT-718 is a fleet management data terminal that comes with an 8-inch touch screen and Intel Celeron platform. Optional WiFi, LTE, Bluetooth, and GPS modules can be integrated into the FMT-718 for real-time data exchange, navigation, and communications. The 10-point capacitive touch screen provides user-friendly interaction that makes operations quick and easy.

Features

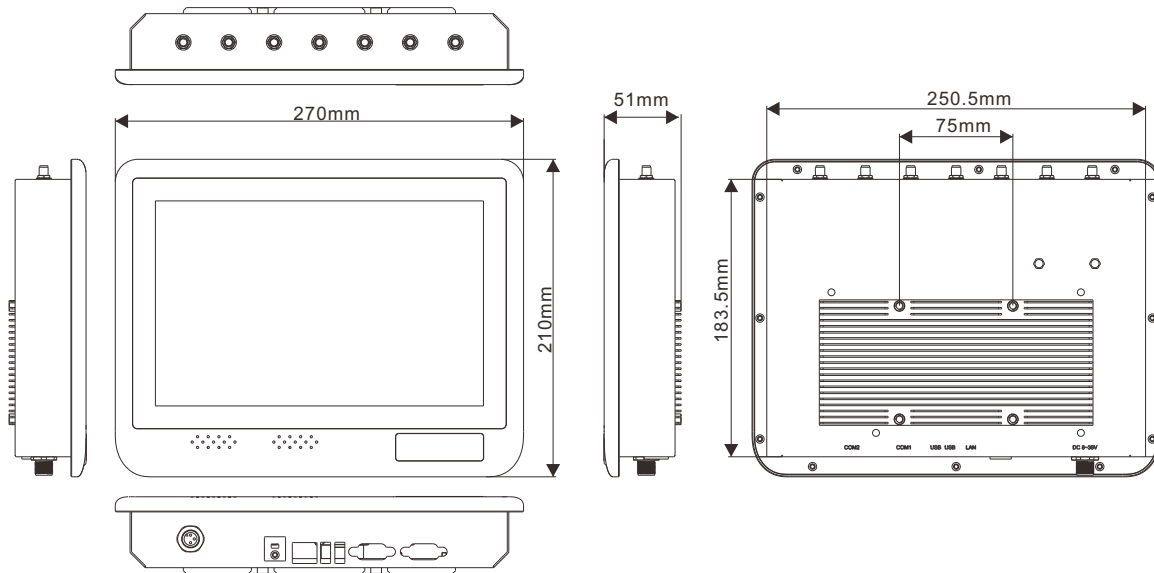
- Full-plane design, 10.1-inch LCD panel with capacitive touchscreen
- Rugged metal enclosure and fanless design
- Wide range 8-36V DC input with ignition control
- Support Win7, WES7 or Win10
- Optional build-in WiFi, Bluetooth, LTE, GPS

Applications

- Manufacturing Logistics
- Warehouse Management
- Vehicle management of driving school



Dimensions



Specifications

System	
CPU	Intel® Quad-Core Celeron J1900 (2.0GHz)
System Memory	4GB SO-DIMM DDR3L-1333 (up to 8GB)
Storage	128GB mSATA SSD (up to 512GB)
Operating System	Windows 10 IoT Enterprise LTSC Windows 7 Professional Windows Embedded Standard 7
Display	
Size	10.1-inch
Resolution(H x V)	1280 x 800
Brightness	400 nits
Backlight	LED
Touchscreen	
Type	10-point Capacitive Type
Keypad & Keyboard	
Keypad & Keyboard	Power On/Off Brightness Adjustment Power LED Indicator
RF Communication	
WLAN	802.11a/b/g/n/ac, 2.4G/5G
WWAN	TDD/FDD LTE, WCDMA, GSM
Bluetooth	Bluetooth 4.0
GPS	GPS/GLONASS/Beidou

I/O Connectors	
Series Port	1 x RS-232/422/485, 1 x RS-232
USB Port	1 x USB2.0, 1 x USB3.0
LAN Port	1 x GbE LAN (RJ45)
Expansion	1 x SIM Card Slot (push and push)
Others	1 x Power Connector (M12) 7 x SMA Connectors for External Antenna (WiFi, Bluetooth, WWAN, GPS)
Audio	
Speaker	2 x Speaker (4ohm, 2w)
Power Management	
Power Input	8~36V DC
Power Consumption	14W typ.
Ignition On/Off	Power on delay, default 10 seconds; Power off delay, default 10 seconds; (On/Off delay time can be changed via BIOS setting);
Environmental	
Operating Temperature	-20~60°C
Relative Humidity	5%-95%, non-condensing
IP Grade	IP54
Shock and Vibration	Shock: MIL-STD-810G Method 516.6 Procedure I Vibration: MIL-STD-810G Method 514.6 Procedure I
Certifications	CE, FCC
Mechanical	
Housing	Aluminum+SGCC
Dimension (W x L x H)	270 × 210 × 51mm
Weight	1.8Kg