

15" Windows Vehicle Mount Computer with Intel® 11th GEN Core™ i-Processor

Overview

VT-969 is the latest generation of ruggedized vehicle mounted computer that comes with Intel® Tiger Lake platform processor and Windows 11 operating system. The VT-969 harnesses full Microsoft® Windows® computing power in a mobile environment, optimizing application and network management compatibility, while remaining flexible enough to run multiple advanced applications.

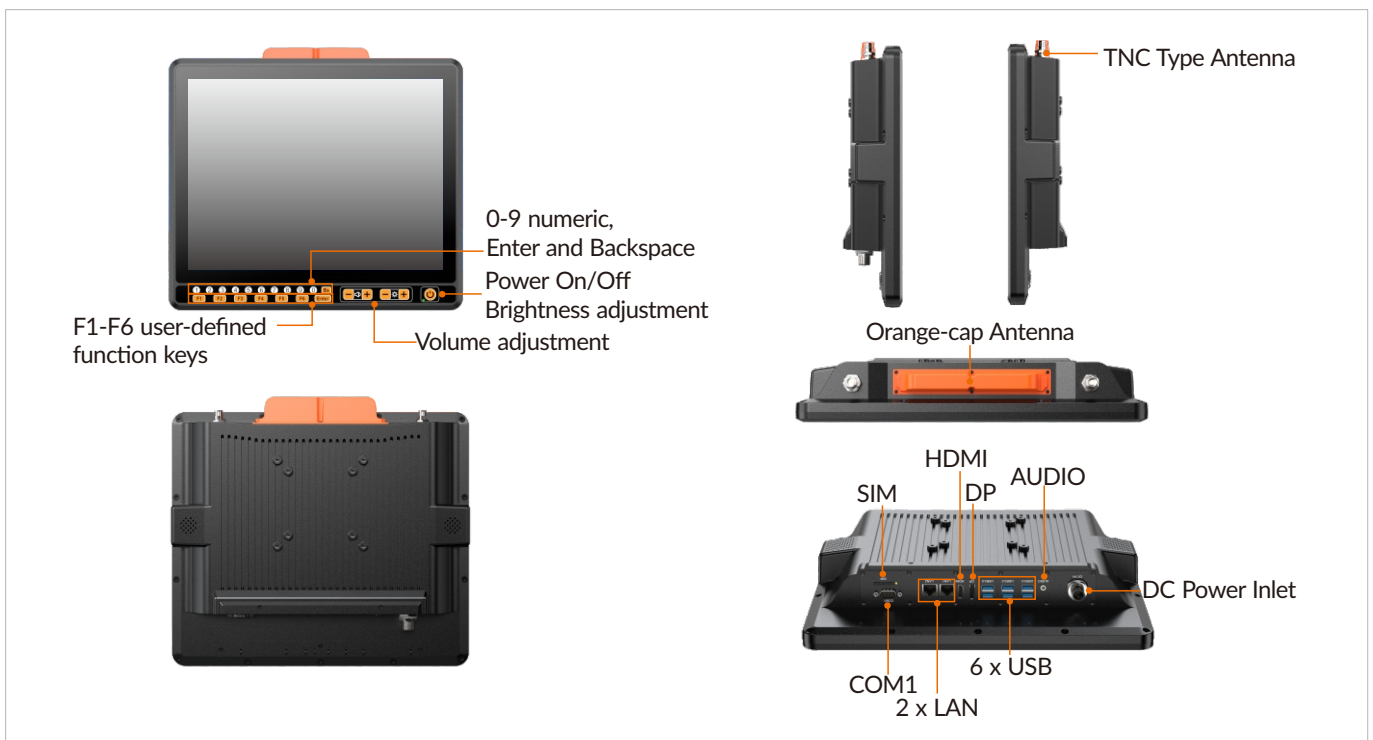
VT-969 assembly 15-inch industrial resistive/capacitive touch screen, built-in WiFi6E, Bluetooth5.3, 4G LTE / 5G, GNSS, 8~36V wide-range DC input adapt it to the warehousing forklift, logistics, container trucks and so on. Meet the STD-MIL-810H of anti-shock and vibration, IP66 dust and water proof standard make it operating freely in the most demanding environment.

Features

- 15" TFT-LCD with resistive touch/projective capacitive touch screen
- Front panel intergrated numeric and function keys control
- Rugged aluminum enclosure and fanless design
- IP66 protection against water and dust
- MIL-STD-810H vibration testing standards compliant
- Wide range 8-36VDC power input with ignition control
- Flexible expansion capability for Wi-Fi 6E, Bluetooth 5.3, LTE, 5G, GNSS, CAN2.0B



I/O Interfaces

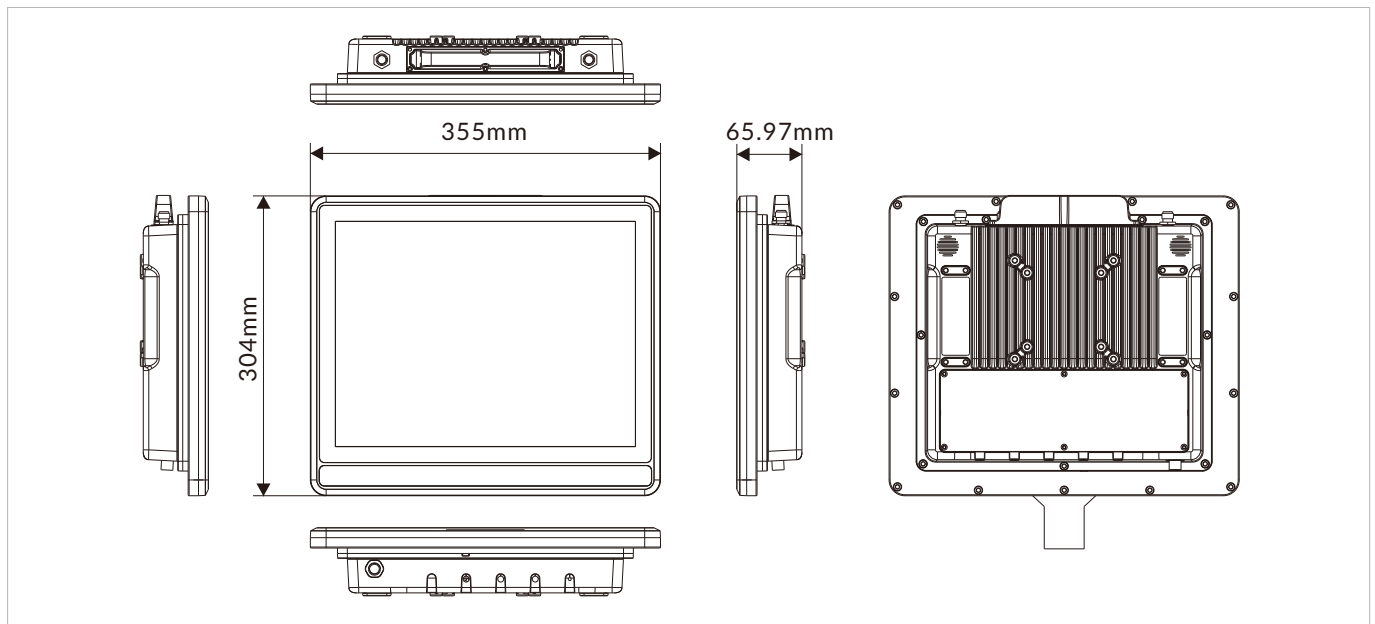


Specifications

Display	
Size	15 inch (4:3)
Touch Type	VT-969: 5-wire resistive touch, VT-969C: Projected capacitive multi touch
Display Type	TFT LCD
Resolution	1024 x 768
Luminance	350 cd/m ²
Contrast Ratio	800: 1
View Angles	80 (left), 80 (right), 80 (up), 80 (down)
Color	16.2M
System	
CPU	Intel® Core™ i5-1135G7, quad core (2.4GHz) Intel® Core™ i7-1165G7, quad core (2.8GHz) (optional)
Chipset	Intel® 11th GEN Tiger Lake-UP3 Platform
Memory	8GB DDR4-2666 SO-DIMM (up to 16GB)
Storage	256GB M.2 SSD (up to 1TB)
Graphics	Intel® Iris® Xe Graphics
BIOS	AMI UEFI BIOS
Keypad & Keyboard	
Keyboard	Power On/Off Brightness and volume adjustment 0-9 numeric, Enter and Backspace F1-F6 user-defined function keys Power LED indicator
I/O Ports	
USB	6 x USB 3.0 (Type A)
Serial	1 x RS-232 (COM1, DB9)
Ethernet	2 x GbE LAN (RJ45)
Display	2 x HDMI (Type A)
SIM Card Slot	1 x SIM Socket
Antenna	2~8x TNC connector for external antenna (Wi-Fi, Bluetooth, WWAN, GPS)
RF Communication	
Wi-Fi	Wi-Fi 6E: 802.11a/b/g/n/ac/ax, 2.4G/5G/6G (optional)
Cellular	4G, LTE (optional) 5G, NSA/SA (optional)
Bluetooth	Bluetooth 5.3 (optional)
GNSS	GPS, GLONASS, Galileo, BeiDou (optional, Ublox NEO M8N)
Audio	
Audio	3.5mm Audio Jack (Mic-in/Line-out)
Speaker	8Ω/2W, dual studio speakers
Power	
DC Input	8 to 36VDC
Power Consumption	25W (Typ.)
Mode	ATX (default), AT
Operating System	
Windows	Windows 11 IoT Enterprise LTSC Windows 10 IoT Enterprise LTSC Windows 10 Pro

Mechanical	
Dimensions (W x D x H)	355 x 304 x 69 mm (13.97 x 11.96 x 2.71 inches)
Weight (N.W.)	4.8 kg (10.58 lbs)
Mounting Mode	VESA 75 and 100
Material	Die-casting Aluminum with Heavy Duty Metal
Environment	
Operating Temperature	-30~60°C (-22~140°F)
Storage Temperature	-40~70°C (-40~158°F)
Relative Humidity	95% @ 70°C (158°F), non-condensing
Shock	MIL-STD-810H Method 514.8 Procedure I
Vibration	MIL-STD-810H Method 516.8 Procedure I
IP Rating	IP66 compliant
Certification	
EMC	CE, FCC

Dimensions



Optional Accessories

Part No.	Description
PWR836D512-M12	8-36VDC Input, 5V/12VDC Output, M12 connector

Ordering Information

Part No.	Description
VT-969-C101A-A001	VT-969 + 1135G7 + 8GB RAM(HIK) + 128GB M.2(HIK) + WiFi6E(AX210) + Bluetooth(AX210) + TNC(1)-WiFi_M + TNC(2)-Bluetooth;
VT-969C-C101A-A001	VT-969C + 1135G7 + 8GB RAM(HIK) + 128GB M.2(HIK) + WiFi6E(AX210) + Bluetooth(AX210) + TNC(1)-WiFi_M + TNC(2)-Bluetooth;