

- ▶ 800MHz or 1.2GHz NXP QorIQ P2010 or P2020 processor based 6U VME board
- ▶ 1GB or 2GB DDR3-800, soldered down
- ▶ Three on-board Gigabit Ethernet interfaces (one front, one rear, one configurable by customer to front or rear)
- ▶ Five serial ports
- ▶ One USB 2.0 port
- ▶ One PCM/XMC site
- ▶ Optional rear transition module
- ▶ Hard drive mounting kit available
- ▶ Extended temperature (-40°C to +71°C) and rugged variants

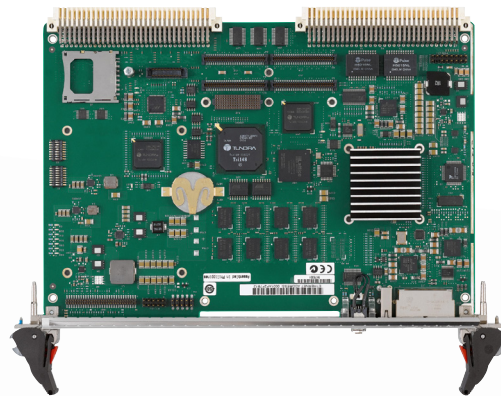
The Penguin Edge<sup>™</sup> MVME250x single-board computer (SBC) features the NXP<sup>®</sup> QorIQ<sup>®</sup> P2010 or dual-core P2020. The e500 v2 core QorIQ processor uses 45 nanometer technology, which delivers an industry-leading performance-to-power ratio with single-core or dual-core frequencies up to 1.2GHz at less than 8W. This is a perfect migration path for our PowerQUICC processor boards (MVME3100 and MVME4100), as well as our G4 processor boards (MVME5100 and MVME5110).

On-board memory includes up to 2GB DDR3 memory and 512KB non-volatile magneto resistive random access memory. MRAM is high speed non-volatile RAM with unlimited read/write access that protects data in the event of a power loss and does not require periodic refresh. MRAM is ideal for critical non-volatile data storage, data logs, dynamic program updates, and dynamic security. Connectivity includes Gigabit Ethernet, USB 2.0, serial ports, SATA port and one PMC/XMC site. A hard drive mounting kit is available for Serial ATA or solid state hard drives.

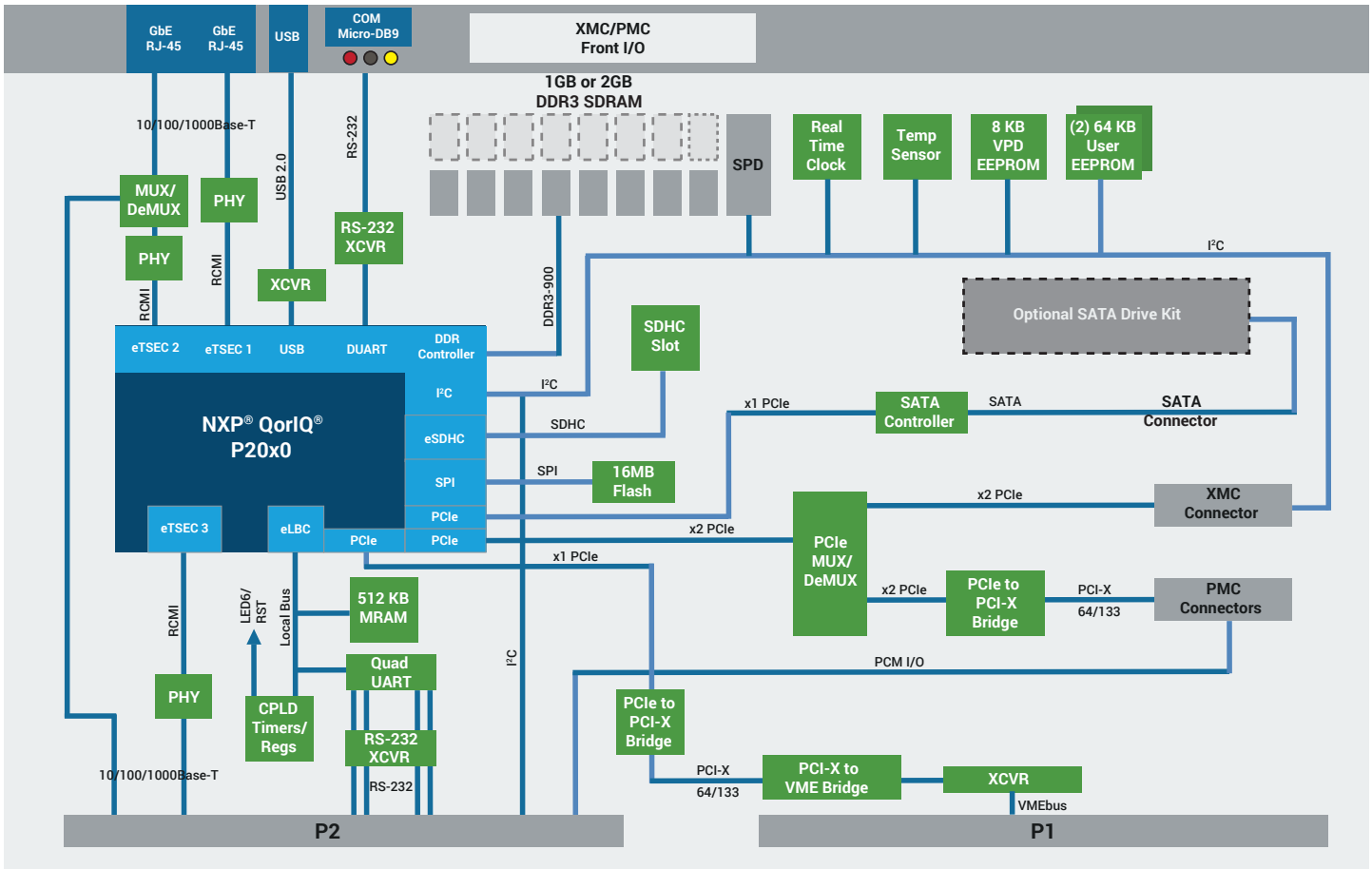
The extended temperature models feature an operating temperature range of -40°C to +71°C – a significant increase over the standard model's 0°C to +55°C range. Acceptable storage temperatures have also been increased, safely accommodating environments from -50°C to +100°C. The rugged variants are capable of operating under up to 5G of vibration (15 to 2000Hz) and can withstand an 11 millisecond shock of up to 30G. Conformal coating is also available. The MVME250x is ideal for automation, medical, and military applications such as railway control, semiconductor processing, test and measurement, image processing, and radar/sonar.



**Parhelia B.V.**  
[www.parheliabv.com](http://www.parheliabv.com)  
☎ +31(0)10 741 00 28



# MVME250x Block Diagram



## Transition Modules

The MVME7216E transition module provides industry standard connector access to two 10/100/1000BaseTX ports, and four asynchronous serial ports configured as RS-232 DTE. All of these are via RJ-45 connectors. The MVME7216E RTM is designed to directly connect to the VME backplane in chassis with an 80mm deep rear transition area. This transition module is compatible with the MVME3100, MVME4100 and MVME7100 boards.

## Software Support

### Firmware Monitor

The MVME250x uses U-Boot firmware which is resident in the MVME250x flash and provides power-on self-test, initialization and operating system booting capabilities. It is based on the 2013.01 patched U-Boot provided by NXP.

## Operating Systems and Kernels

The MVME250x supports a variety of Linux operating systems

## Specifications

### Hardware Processor/Chipset

- ▶ 800MHz NXP P2010 single-core processor
- ▶ 1.2GHz NXP P2020 dual-core processor
- ▶ 512KB L2 shared cache
- ▶ Integrated, on-chip controllers for DDR2/3, PCI Express, USB 2.0, DUART, 10/100/1000 Ethernet, DMA, SDHC, SPI flash, I2C and security acceleration
- ▶ Eight 32-bit timers

### Memory

- ▶ Single channel 800MB/s
- ▶ 1GB or 2GB DDR3-800, soldered down

## User Flash/NVRAM Memory

- ▶ 512KB MRAM (NVRAM)
- ▶ SDHC socket

## Boot Flash Memory

- ▶ 16MB SPI flash (2x 8MB)
- ▶ Support for crisis recovery

## VMEbus Interface

- ▶ Compliance: ANSI/VITA 1-1994 VME64 (IEEE STD 1014), ANSI/VITA 1.1-1997 VME64 Extensions, VITA 1.5-199x 2eSST
- ▶ Controller: Tundra Tsi148 PCI-X to VMEbus bridge with support for VME64 and 2eSST protocols

## I/O Capabilities

- ▶ Three GbE interfaces (one front, one rear, one configurable to front or rear)
- ▶ PMC/XMC (PCI Express x 2)
- ▶ Micro DB-9 (front)
- ▶ Four RS-232 serial ports (rear)
- ▶ USB 2.0 interface (front)
- ▶ SATA port for optional on-board hard drive

## MVME721 Transition Module I/O

- ▶ Two GbE interfaces
- ▶ Four RS-232 serial ports
- ▶ I<sup>2</sup>C
- ▶ PMC I/O

## Other Features

- ▶ Watchdog unit
- ▶ Three independent 32-bit tick timers
- ▶ Status and user LEDs
- ▶ Reset switch
- ▶ Locking ejector handles
- ▶ Temperature sensors

## Software

- ▶ U-Boot firmware

## Power Requirements

- ▶ Maximum for 800MHz, 1GB memory variant
  - 5.0V 5A 25W (Estimated)
- ▶ Maximum for 1.2GHz, 2GB memory variant
  - 5.0V 5.7A 28W (Estimated)

## Environmental

Ruggedization Level	ENP1	ENP2
Cooling Method	Forced Air	Forced Air
Operating Temperature	0°C to +55°C	-40°C to +71°C
Storage Temperature	-40°C to +85°C	-50°C to +100°C
Vibration Sine (10min/axis)	1G, 5 to 200Hz	5G, 15 to 2000Hz
Vibration Random (1hr/axis)	.01g <sup>2</sup> /Hz, 15 to 200Hz	.04g <sup>2</sup> /Hz, 15 to 2000Hz (8GRMS)
Shock	20g/11mS	30g/11mS
Humidity	to 95% RH	to 100% RH
Conformal Coating*	No	Option (Acrylic)

\* Conformal coating these products may result in up to a 2°C reduction in operating temperature limits.

## Electromagnetic Compatibility (EMC)

- ▶ Intended for use in systems meeting the following regulations:
  - U.S.: FCC Part 15, Subpart B, Class A (non-residential)
  - Canada: ICES-003, Class A (non-residential)
- ▶ Penguin Edge board products are tested in a representative system to the following standards:
  - CE Mark per European EMC Directive 89/336/EEC with Amendments; Emissions: EN55022 Class B; Immunity: EN55024
  - KCC Mark

## Estimated MTBF

MTBF estimated per Telcordia SR-332, issue 2, ground fixed, controlled environment, unit ambient air temperature of 40°C is between 590,000 hours and 724,000 hours at 60% confidence level depending on memory configuration. Contact Penguin Solutions for alternative environments or temperatures.

Ordering Information		
Part Number	Description	Weight
MVME2500-01080101E	QorIQ P2010 800MHz, 1GB DDR3 IEEE	0.38 kg
MVME2500-01080101S	QorIQ P2010 800MHz , 1GB DDR3 SCANBE	0.34 kg
MVME2500-02100202E	QorIQ P2020 1.0GHz, 2GB DDR3 IEEE, ENP2	0.80 kg
MVME2500-021CC-2	QorIQ P2020 1.0GHz, 2GB DDR3, ENP2 extended temp, SCANBE, conformal coating	–
MVME2502-02120201E	QorIQ P2020 1200MHz, 2GB DDR3 IEEE	0.39 kg
MVME2502-02120201S	QorIQ P2020 1200MHz, 2GB DDR3 SCANBE	0.34 kg
Rear Transition Modules		
MVME7216E-101	RTM, new I/O on 5 row P2, 2 GIGE, 4 Serial, PIM, 6E (for use with MVME250x/3100/4100/7100)	
MVME721ET-101-CC-2	RTM, new I/O on 5 row P2, 2 GIGE, 4 Serial, PIM, 6E ENP2 (for use with MVME250x/3100/4100/7100)	
Accessories and Cables		
SERIAL-MINI-D2	Serial cable, Micro-D sub connector to standard DB-9	
ACC/CABLE/SER/DTE/6E	Serial cable, RD 009, 2M, 2 DTE MD/D, RJ-45 to DB-9	
VME-HDMNTKIT2CC-3	VME HD mounting kit ENP2	

## Contact Us

+1 602-438-5720

[info@penguinsolutions.com](mailto:info@penguinsolutions.com)

[www.penguinsolutions.com/edge/](http://www.penguinsolutions.com/edge/)



**Parhelia B.V.**  
[www.parheliabv.com](http://www.parheliabv.com)  
 ☎ +31(0)10 741 00 28

### About Penguin Solutions

Penguin Solutions accelerates customers' digital transformation with the power of emerging technologies in HPC, AI, and IoT with solutions and services that span the continuum of edge, core, and cloud. The company designs highly advanced infrastructure, machines and networked systems that enable the world's most innovative enterprises and government institutions to build the autonomous future, drive discovery and amplify human potential. The Penguin Edge portfolio covers system on Modules, single board computers and application-ready platforms that extend insight, intelligence, and analytical capabilities closer to where the data is generated - optimizing a range of use cases across industries and rugged environments.



Penguin Solutions is a trade name used by SMART Embedded Computing, Inc., a wholly owned subsidiary of SMART Global Holdings, Inc. Penguin Edge is a trademark owned by Penguin Computing, Inc., a wholly owned subsidiary of SMART Global Holdings, Inc. NXP and QorIQ are trademarks of NXP B.V. All other logos, trade names, and trademarks are the property of their respective owners. Specifications are subject to change without notice. For full legal terms and conditions, please visit [www.penguinsolutions.com/edge/legal/](http://www.penguinsolutions.com/edge/legal/).

©2023 SMART Embedded Computing, Inc.