



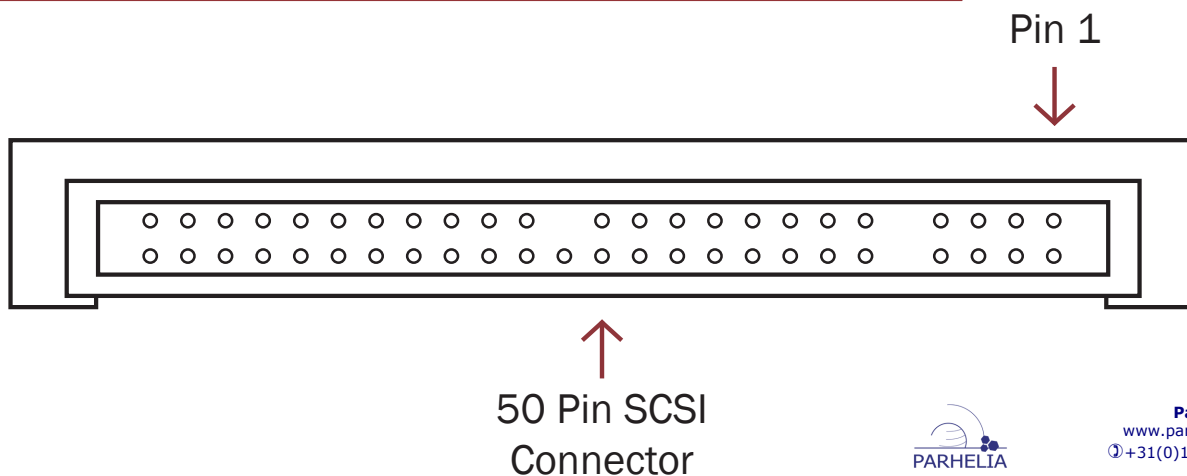
RRT-25SCSI-SN 2.5" SCSI 50-Pin Narrow Solid State Drive

- Drop in replacement for obsolete SCSI drives
- 50-pin Narrow 8-bit Single Ended (SE) Ultra SCSI interface
- Built-in debug monitor for diagnostics and updates to firmware
- Transfer rates up to 20 MB/s
- Capacities up to 740GB
- Military secure erase options
- Extended temperature options
- Rugged versions available
- SCSI termination can be enabled within unit
- SCSI ID selection 0 - 7
- RoHS compliant
- US-Based Engineering and Manufacturing
- In-house Technical Support



THE 2.5" SCSI 50-PIN NARROW SOLID STATE DRIVE (SSD) uses a proprietary FPGA-based design that provides a long-term solution for replacement of obsolete SCSI drives.

50-pin Narrow Interface



Parhelia B.V.
www.parheliabv.com
☎ +31(0)10 741 00 28

Ordering Information

2.5" SCSI

RRT-25SCSI-SN- MLC - 120GB - UR - X

Requirements

NAND Flash Type

MLC Multi Level Cell
SLC Single Level Cell

Capacity

0 - 740GB MLC
0 - 60GB SLC

Options May be left blank

Conformal Coating

UR Polyurethane
AR Acrylic

Extended Temperature Range

X -40°C to 85°C

ORDER EXAMPLES

RRT-25SCSI-SN-SLC-512MB
RRT-25SCSI-SN-MLC-120GB-UR-X
RRT-25SCSI-SN-SLC-4.3GB



Parhelia B.V.
www.parheliabv.com
☎ +31(0)10 741 00 28



206 W Julie Drive, Ste. 2
Tempe, AZ 85283



(480)-483-3777



www.redrocktech.com



contactus@redrocktech.com

Product Specifications

2.5" SCSI 50-PIN NARROW SSD

PERFORMANCE		
VERSION	SSD - MLC	SSD - SLC
CAPACITIES ¹	Up to 740GB	Up to 60GB
NAND FLASH TYPE	MLC	SLC
INTERFACE	Narrow 8-bit Single Ended (SE) Ultra SCSI, SCSI2, SCSI1	
SUSTAINED THROUGHPUT READ/WRITE	19 MB/s	
SECTOR SIZE	512 byte default, custom sector size available	
RELIABILITY		
MTBF (HOURS) ²	1 million hours	2 million hours
ENDURANCE (100GB SSD)	70 TBW	350 TBW
DATA RETENTION	1 year ³	10 years ⁴
POWER		
VOLTAGE	+5V +/- 5%	
WATTS (IDLE)	3 W	
WATTS (ACTIVE)	4 W max	
ENVIRONMENTAL		
OPERATING TEMP.	0 °C to 70 °C	
STORAGE TEMP.	-40 °C to 85 °C	
EXTENDED OPERATING TEMP.	-40 °C to 85 °C	
ALTITUDE	80,000 ft. (24,000 meters)	
RELATIVE HUMIDITY	5% to 95% non-condensing	
SHOCK	50g 11 millisecond	
VIBRATION	12.0g 20 Hz to 2000 Hz	
PHYSICAL		
FORM FACTOR	2.5" drive	
WEIGHT	3 oz. max (84.2g)	
DIMENSIONS	2.8" x 3.9" x 0.5" (70.0mm x 100.0mm x 12.5mm)	
NOTES		
(1) Larger capacities available as new COTS 2.5" drives released		
(2) Telcordia SR-332, Issue 3, operating temp. (40 °C), electrical stress (50%), environmental factor (1.0)		
(3) MLC	10 years at 0% TBW ramping down to 1 year at 100% TBW	
(4) SLC	10 years at 10% TBW ramping down to 1 year at 100% TBW	



Parhelia B.V.
www.parheliabv.com
 ☎ +31(0)10 741 00 28



Red Rock Technologies, Inc. reserves the right to modify, change or discontinue specific products within its product line at its own discretion. Red Rock Technologies, Inc. does not assume any liability resulting from the application or use of its products. The information contained herein has been checked and is believed to be entirely accurate; however, no responsibility is assumed for inaccuracies. "Red Rock Technologies" and the mountain logo are registered trademarks of Red Rock Technologies, Inc.

© Copyright 2023 Red Rock Technologies, Inc.
 All rights reserved. (Rev. 20230103a)